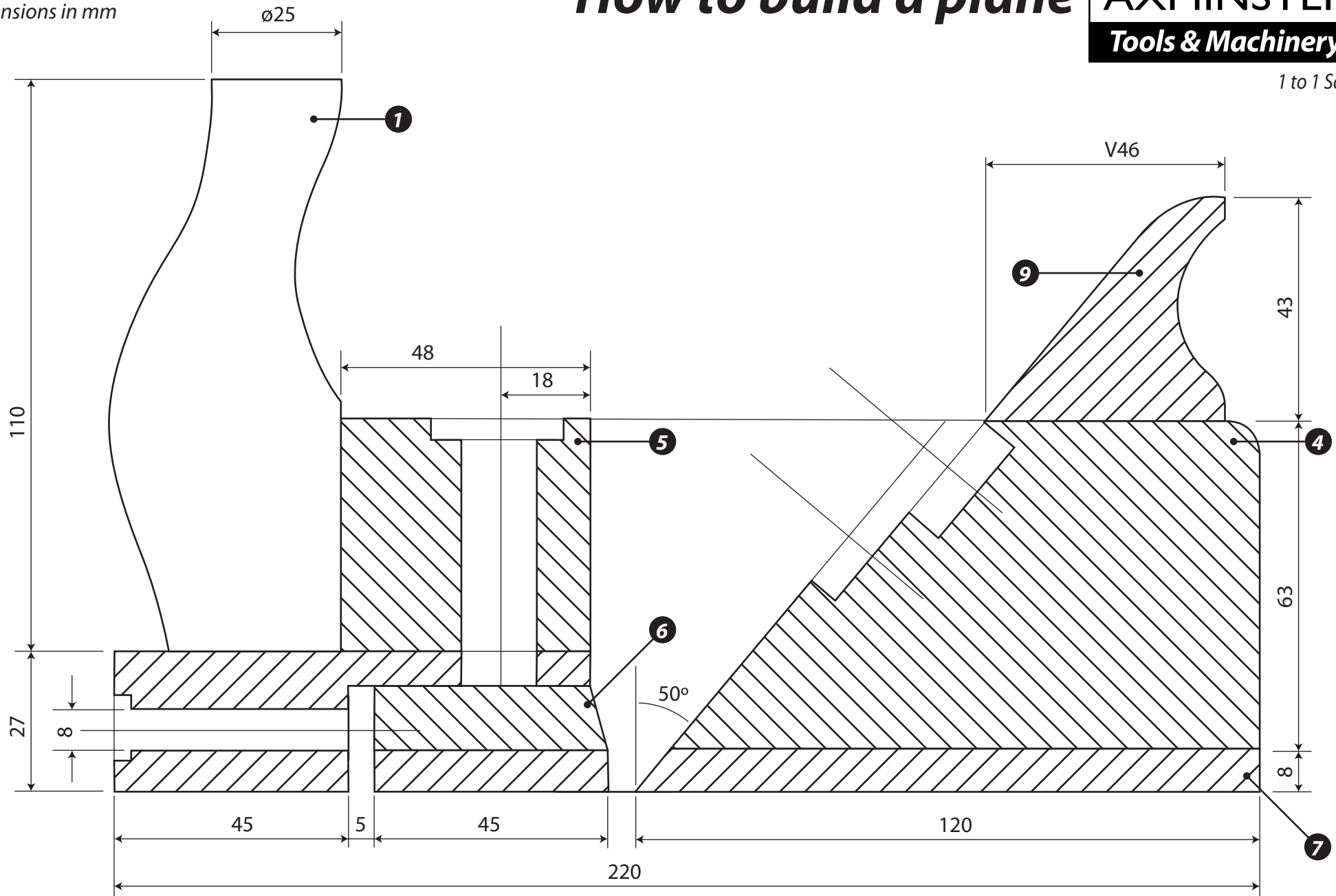


All dimensions in mm

How to build a plane

AXMINSTER
Tools & Machinery

1 to 1 Scale



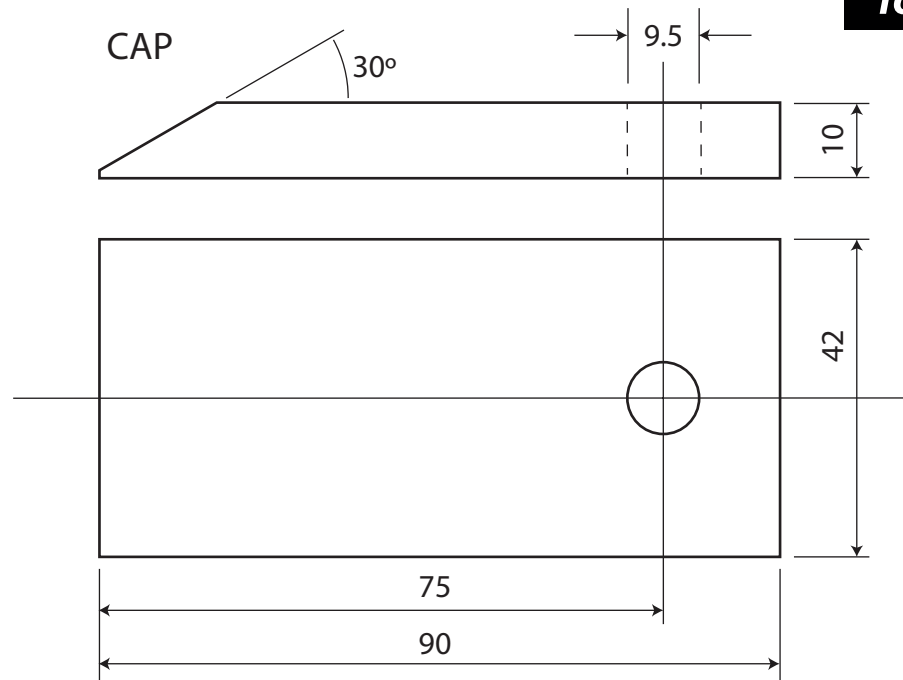
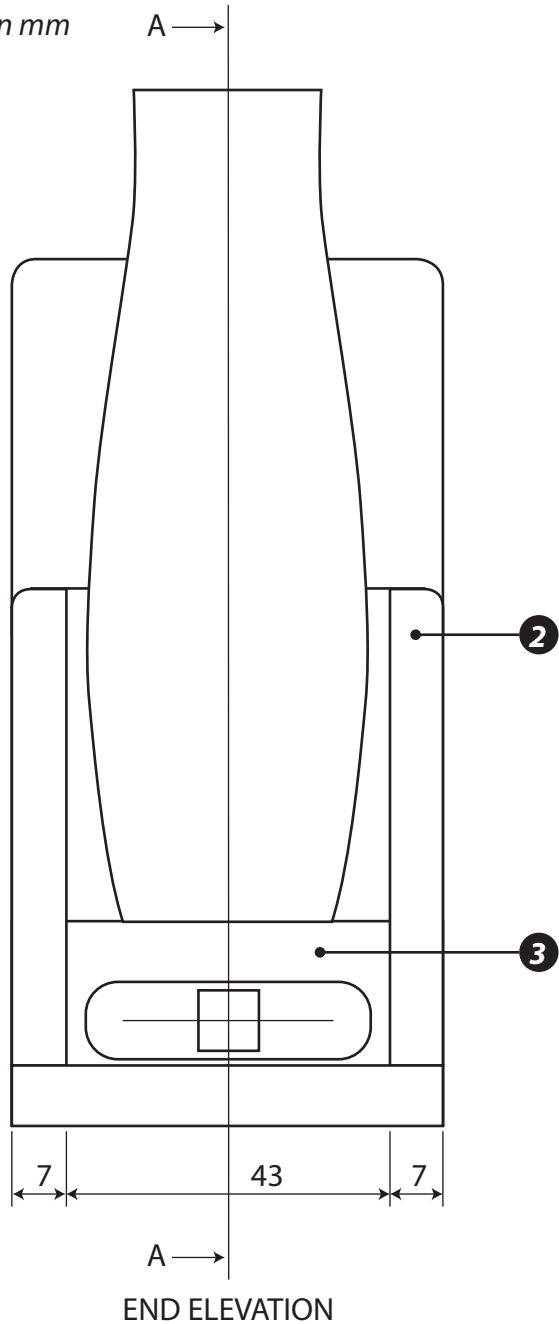
SECTIONAL VIEW ON AA

How to build a plane

AXMINSTER
Tools & Machinery

1 to 1 Scale

All dimensions in mm



CUTTING LIST

Exact sizes

ITEM	NAME	QTY	L	W	TH
1	Horn	1	110	47	35
2	Side cheeks	2	220	63	7
3	Horn base	1	100	43	19
4	Rear block	1	115	63	43
5	Front block	1	48	44	43
6	Mouth block	1	45	43	20
7	Base	1	220	57	8
8	Cap	1	90	42	10
9	Rear tote	1	46	48	43